

GFL2 Stainless Steel Slide Bolt

Features

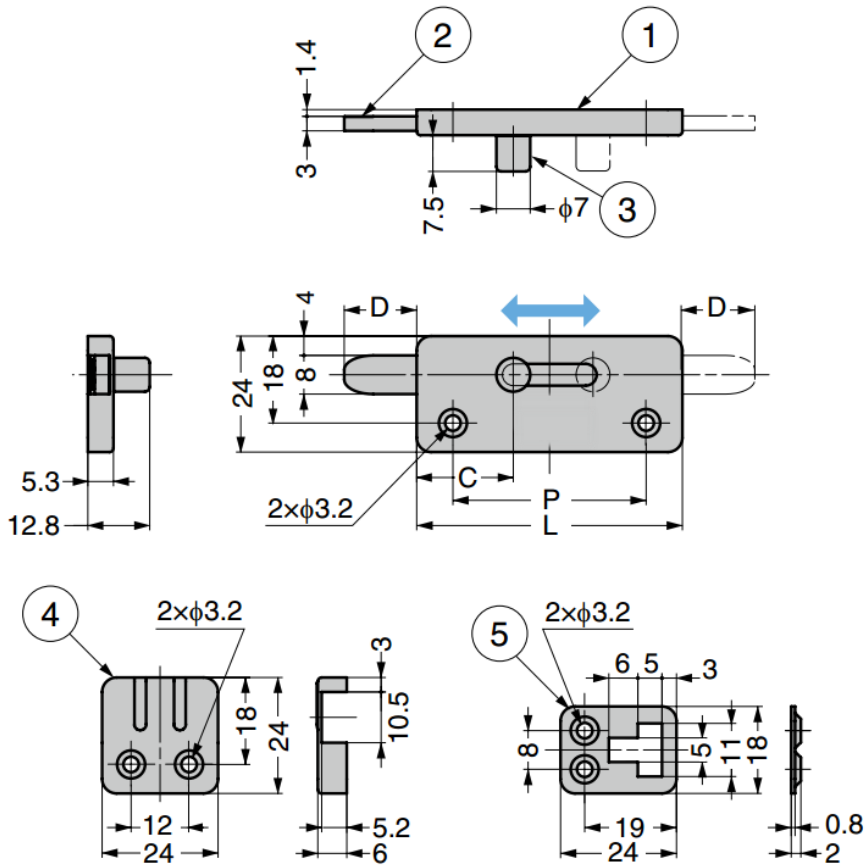
- Slide the latch knob to lock/release
- Easy installation, flat and compact design for various applications
- Two different counter plates included for different mountings

Parts Included

- Countersunk head tapping screw 2.7×16 (SUS)



No.	Part Name	Material	Finish
①	Body	Stainless Steel (SUS304)	Satin
②	Bar		Barrel Polished
③	Knob		
④	Counter Plate A	Stainless Steel	Satin
⑤	Counter Plate B		



Part No.	L	W	A	B
GLF2-35	35	21	11.5	12
GLF2-55	55	40	20	15